



# MASTER LEDtube InstantFit HF T8

## MASTER LEDtube HF 1500mm UO 26W865 T8

Philips MASTER LEDtube InstantFit T8 integrates a LED light source into a traditional fluorescent form factor. Its unique design creates a perfectly uniform visual appearance which cannot be distinguished from traditional fluorescent. Philips MASTER LEDtube InstantFit T8 is the ideal solution for customers who have higher light requirements and want to maximize value over lifetime. Full energy savings & longer lifetime result in attractive payback times and TCO benefits.

### Product data

General Information	
Cap-Base	G13 [ Medium Bi-Pin Fluorescent]
Main Application	Industrial
Nominal Lifetime (Nom)	50000 h
Switching Cycle	50000X
B50L70	50000 h
Light Technical	
Color Code	865 [ CCT of 6500K]
Beam Angle (Nom)	160 °
Luminous Flux (Nom)	3700 lm
Luminous Flux (Rated) (Nom)	3700 lm
Rated Beam Angle	160 °
Correlated Color Temperature (Nom)	6500 K
Color Consistency	<6
Color Rendering Index (Nom)	83

LLMF At End Of Nominal Lifetime (Nom)	70 %
Operating and Electrical	
Input Frequency	25000-80000 Hz
Power (Rated) (Nom)	26 W
Lamp Current (Nom)	400 mA
Starting Time (Nom)	0.5 s
Warm Up Time to 60% Light (Nom)	0.5 s
Power Factor (Nom)	0.9
Voltage (Nom)	50-100 V
Temperature	
T-Ambient (Max)	45 °C
T-Ambient (Min)	-20 °C
T-Storage (Max)	65 °C
T-Storage (Min)	-40 °C

# MASTER LEDtube InstantFit HF T8

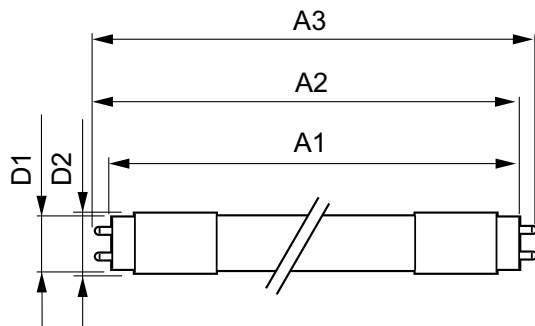
T-Case Maximum (Nom)	45 °C
<b>Controls and Dimming</b>	
Dimmable	No
<b>Mechanical and Housing</b>	
Product Length	1500 mm
<b>Approval and Application</b>	
Energy Saving Product	Yes
Suitable For Accent Lighting	No
Energy Efficiency Label (EEL)	A+
Approval Marks	CE marking KEMA Keur certificate RoHS compliance

Energy Consumption kWh/1000 h	31 kWh
<b>Product Data</b>	
Full product code	871869655286500
Order product name	MASTER LEDtube HF 1500mm UO 26W865 T8
EAN/UPC - Product	8718696552865
Order code	929001211502
Numerator - Quantity Per Pack	1
Numerator - Packs per outer box	10
Material Nr. (12NC)	929001211502
Net Weight (Piece)	0.450 kg

## Warnings and Safety

- NOTES: The overall energy efficiency and light distribution of any installation that uses these lamps are determined by the design of the installation.

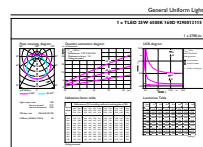
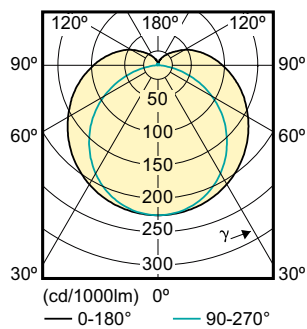
## Dimensional drawing



TLED 50-100V 26W-58W 3700lm 6500K G13 ND

Product	D1	D2	A1	A2	A3
MASTER LEDtube HF 1500mm UO 26W865 T8	25.68 mm	28 mm	1500.0 mm	1507.1 mm	1514.2 mm

## Photometric data



# MASTER LEDtube InstantFit HF T8

## Photometric data

